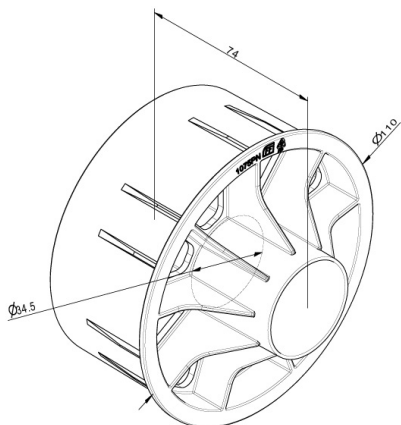


1075PN End stop

Images:



Description:

- Subcategory	: 04. Others
- IND/RES	: IND
- Full package quantity	: 126
- Unit	: piece (1)
- Weight / Unit	: 0,07kg
- Material	: PP
- Colour	: Black
- Length	: 74mm
- Product Family	: a 107
- Inside diameter	: 34,5mm
- Outside diameter	: 110mm
- Marking	: 1075PN FF
- Technical description	: End stop for supporting the new 1075PVC3000 spring filler tube. Makes a strong, solid, low noise support of 152mm torsion springs.