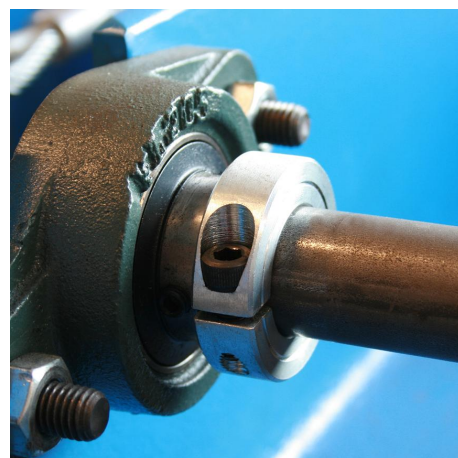
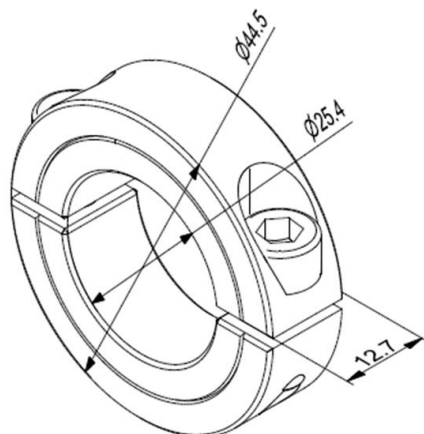


1065S Set collar

Images:



Description:

- Subcategory	: Collars
- IND/RES	: BOTH
- Full package quantity	: 200
- Unit	: piece (1)
- Weight / Unit	: 0,10kg
- Material	: Galvanised Steel
- Height	: 12,7mm
- Product Family	: a 004
- Marking	: FF
- Commercial description	: 1" shaft
- Technical description	: Ease of installation. The fact that the collars exist out of two halves, make them suitable for installation on the already installed shaft.