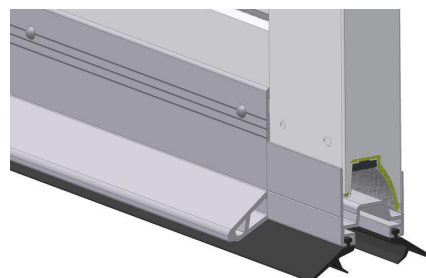
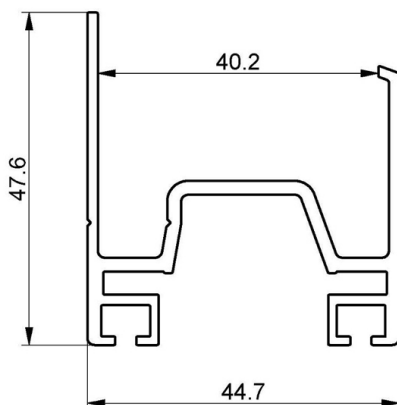
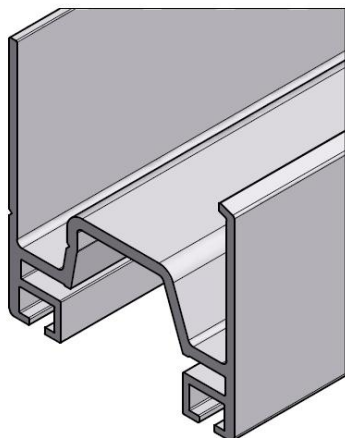


1041LE1000 Threshold end profile

Images:



Description:

- Subcategory	: 04. SafeStep/SideStep
- IND/RES	: BOTH
- Full package quantity	: 25
- Unit	: piece (1)
- Weight / Unit	: 0,83kg
- Material	: Anodised Aluminium
- Height	: 47,6mm
- Length	: 1000mm
- Width	: 44,7mm
- Product Family	: a 051
- Panel thickness	: 40mm
- Commercial description	: L=1000mm
- Technical description	: Application prevents milling the ends of low threshold profile at location of bottom brackets. Connection done with plate 1041L-01, self tapping screws. Fit 2 x 1035L bottom seal. Part of FlexiForce pass door construction. Complete description and manual available.