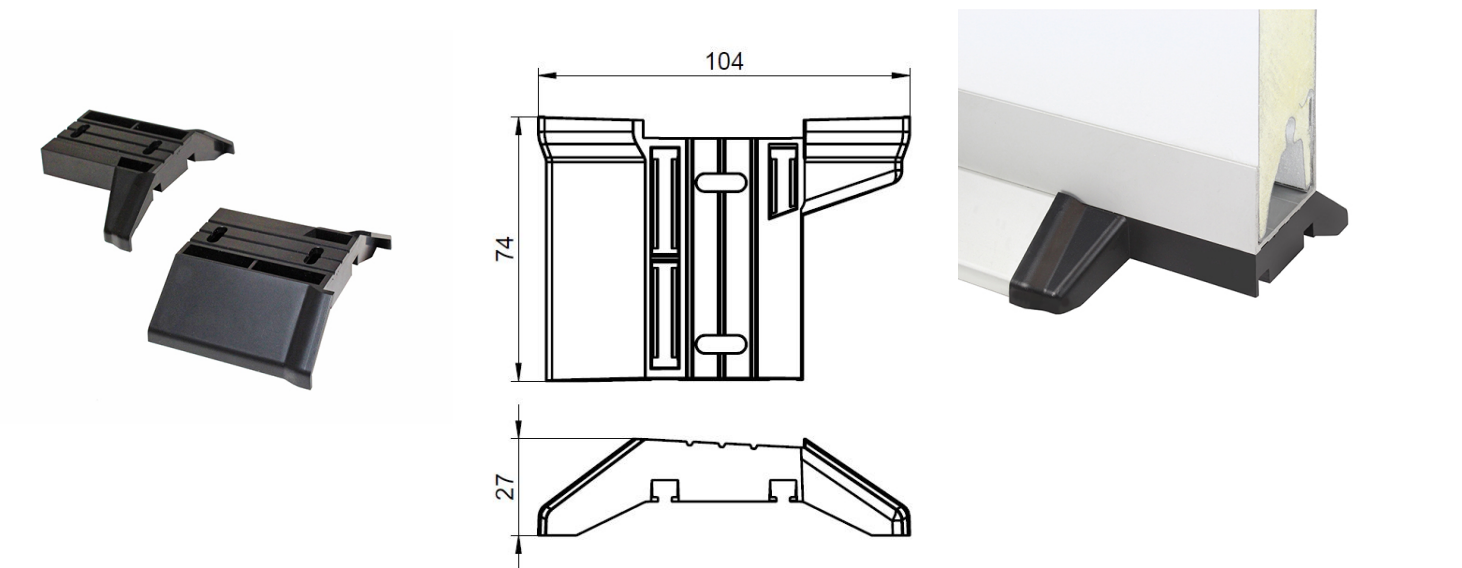


## 1041LCAPR-9005 Low threshold end piece

### Images:



### Description:

- Subcategory	: 04. SafeStep/SideStep
- IND/RES	: BOTH
- Full package quantity	: 1
- Unit	: piece (1)
- Weight / Unit	: 0,24kg
- Material	: PC-ABS
- Colour	: White
- Height	: 27mm
- Length	: 74mm
- Width	: 104mm
- Product Family	: a 001§
- Technical description	: The 1041LCAP is connected to the 1041LTB threshold profile. The cap follows the shape and angle of the profile. The small overlap covers cutting edges and small deviations. This provides easy mounting to the 1041U profile. This can be done with pop rivets or screws.