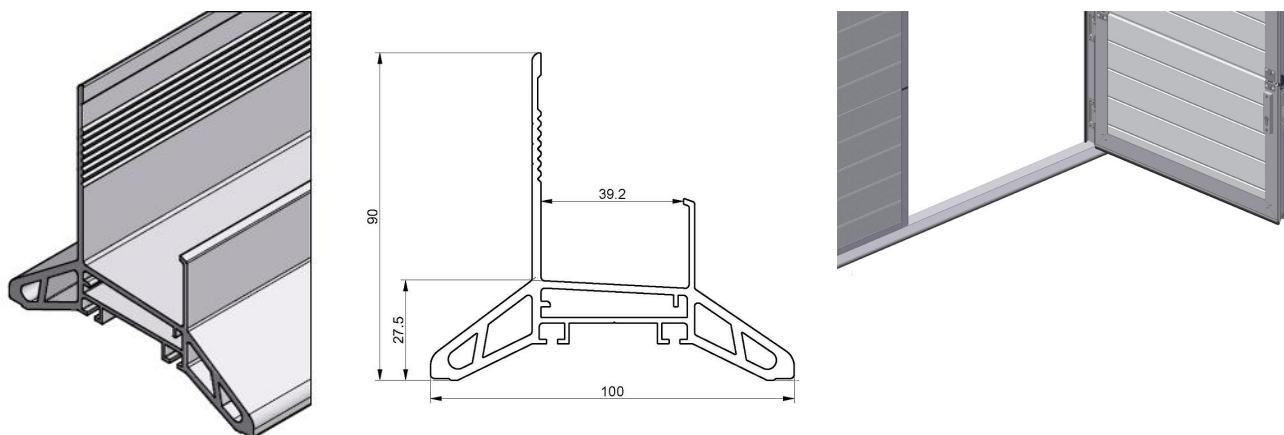


## 1041L5050 Threshold profile

Images:



Description:

- Subcategory	: 04. SafeStep/SideStep
- IND/RES	: BOTH
- Full package quantity	: 20
- Unit	: piece (1)
- Weight / Unit	: 11kg
- Material	: Anodised Aluminium
- Height	: 90mm
- Length	: 5050mm
- Width	: 100mm
- Product Family	: a 050
- Panel thickness	: 40mm
- Commercial description	: L=5050mm
- Technical description	: Providing the opportunity to equip your residential doors with a low threshold pass door. One piece profile, which need to be milled according to instructions at location of the pass door.