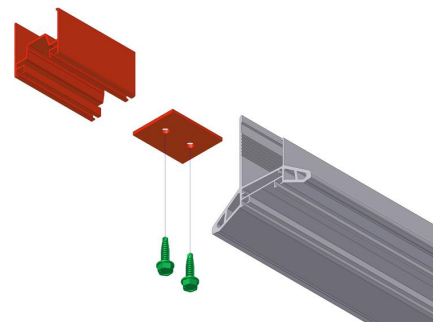
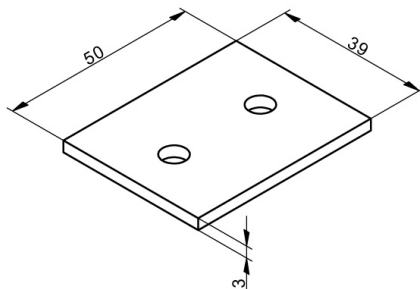


1041L-01 Connection plate

Images:



Description:

- Subcategory	: 04. SafeStep/SideStep
- IND/RES	: BOTH
- Full package quantity	: 100
- Unit	: piece (1)
- Weight / Unit	: 0,05kg
- Material	: Galvanised Steel
- Height	: 3mm
- Length	: 50mm
- Width	: 39mm
- Product Family	: a 047
- Panel thickness	: 40mm
- Commercial description	: SafeStep pass door
- Technical description	: Connection plate to Connects alu extension profile 1041LE1000 to low threshold profile 1041L3000 with help of self tapping screws. Part of a complete FF construction to manufacture pass door in finger safe panels. Complete description and manual available.