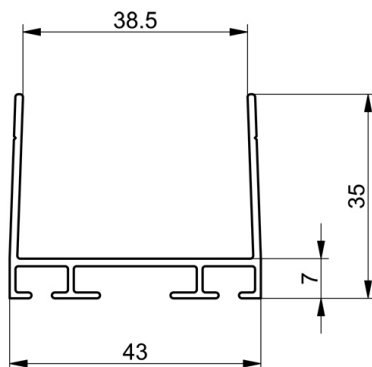


## 1038-4040 Top/bottom profile

### Images:



### Description:

- Subcategory	: 02. Top/Bottom
- IND/RES	: BOTH
- Full package quantity	: 50
- Unit	: piece (1)
- Weight / Unit	: 2kg
- Material	: Aluminium
- Colour	: Aluminium
- Height	: 35mm
- Length	: 4040mm
- Width	: 43mm
- Product Family	: a 001
- Anodised	: No
- Panel thickness	: 40mm
- Technical description	: The profile is suitable for mounting rubber profile 1035, 1036, 1037, 1039-55 and 1039 etc.