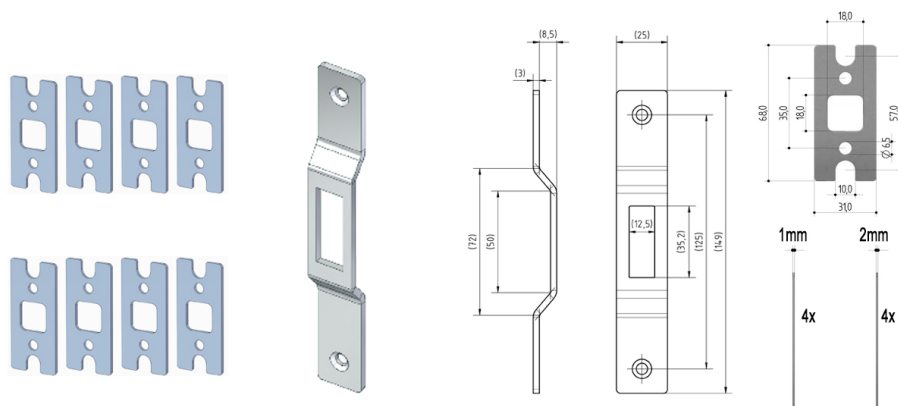


## 1034MPL-ACC Multi-point lock accessory kit

Images:



Description:

- Subcategory : 07. Multi-point lock
- IND/RES : RES
- Full package quantity : 1
- Unit : set (1)
- Weight / Unit : 0,157kg
- Material : Steel
- Product Family : a 002§
- Commercial description : Accessory kit for alignment of the latches and central lock.