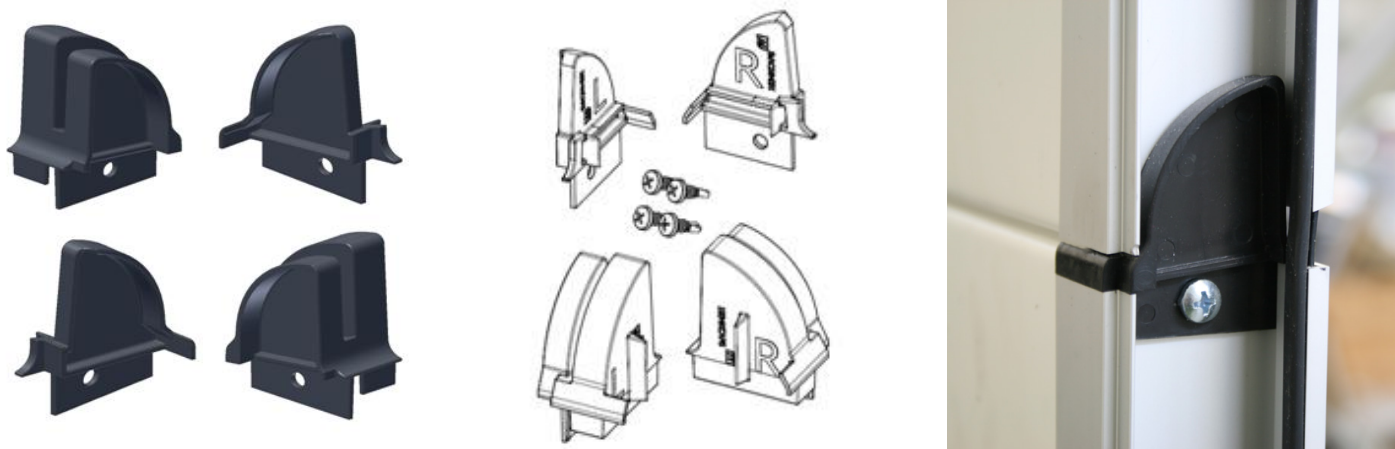


1034KCAPS Caps

Images:



Description:

- | | |
|--------------------------|---|
| - Subcategory | : 04. SafeStep/SideStep |
| - IND/RES | : BOTH |
| - Full package quantity | : 100 |
| - Unit | : set (4) |
| - Weight / Unit | : 0,05kg |
| - Material | : PC-ABS |
| - Colour | : Black |
| - Product Family | : a 041 |
| - Panel brand | : Kingspan / Epcó |
| - Marking | : 1034KCAPS FF + L/R |
| - Commercial description | : Kingspan/Epcó panels |
| - Technical description | : Set of 4 pieces plastic caps to be installed on alu profile 1033LS and 1033LD machined for mentioned panel brand(s). One set is for one line hinged door blade sections of the pass door. |