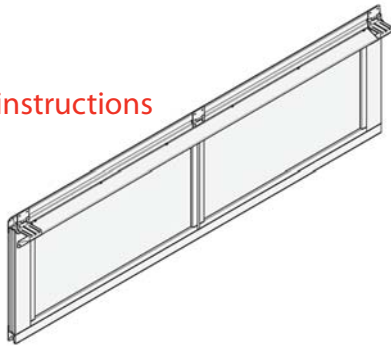


A5TR Strut for A4ETR

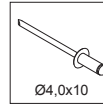
Sawing & Assembly instructions



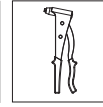
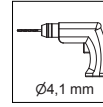
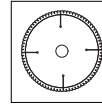
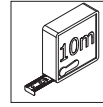
01 140 991 rev.07-05-2014

1

Needed fixing materials



Needed tools



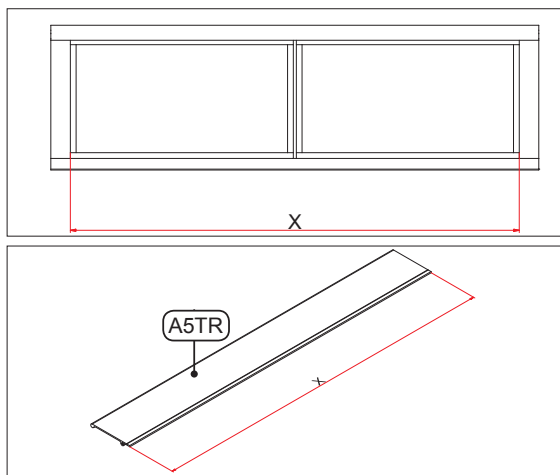
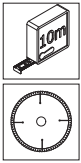
Used symbols



INLINE - Lines and/or surfaces are inline with each other

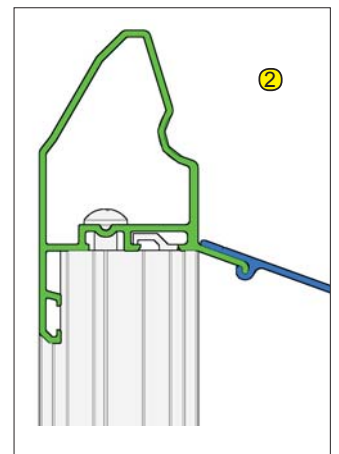
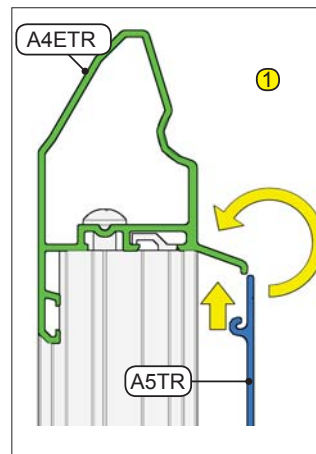
01 140 991 rev.07-05-2014

2



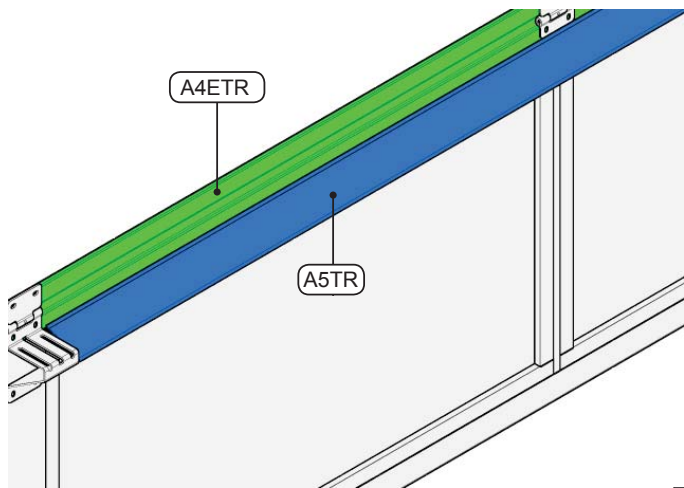
01 140 991 rev.07-05-2014

3



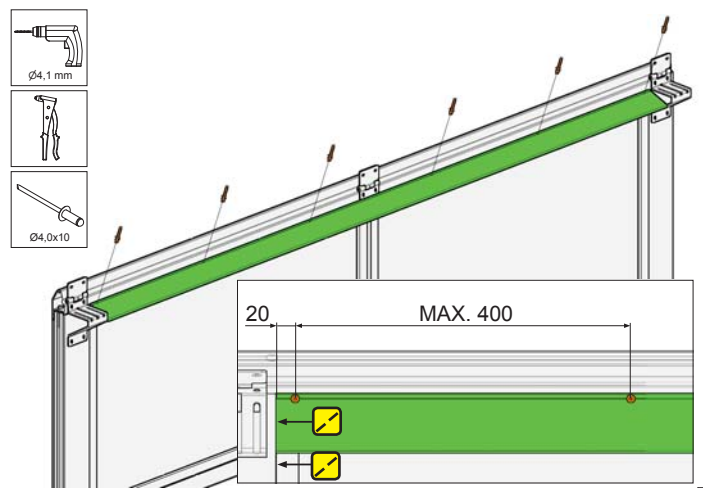
01 140 991 rev.07-05-2014

4



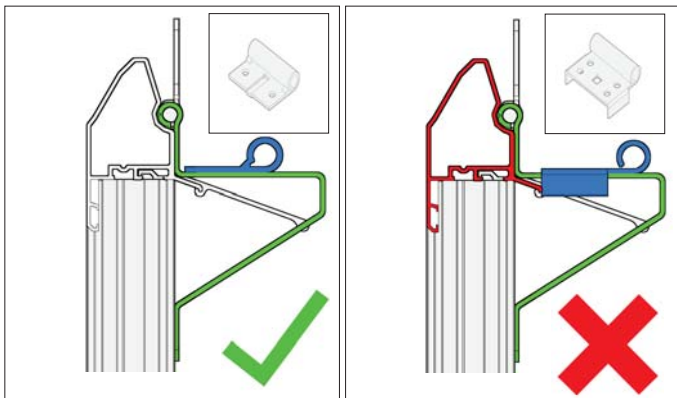
01 140 991 rev.07-05-2014

5



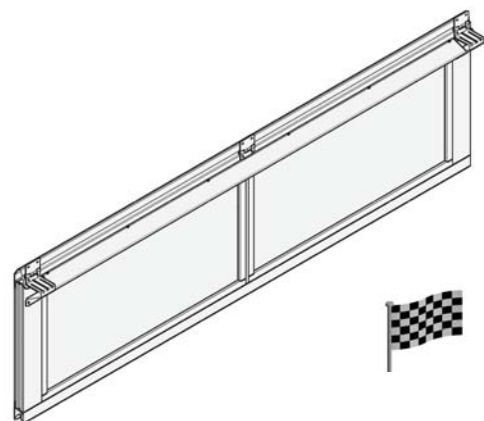
01 140 991 rev.07-05-2014

6



01 140 991 rev.07-05-2014

7



01 140 991 rev.07-05-2014

8