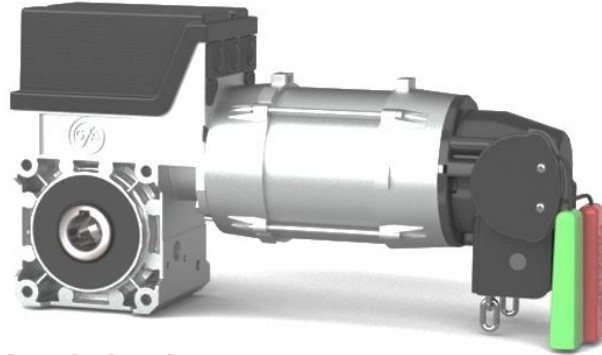
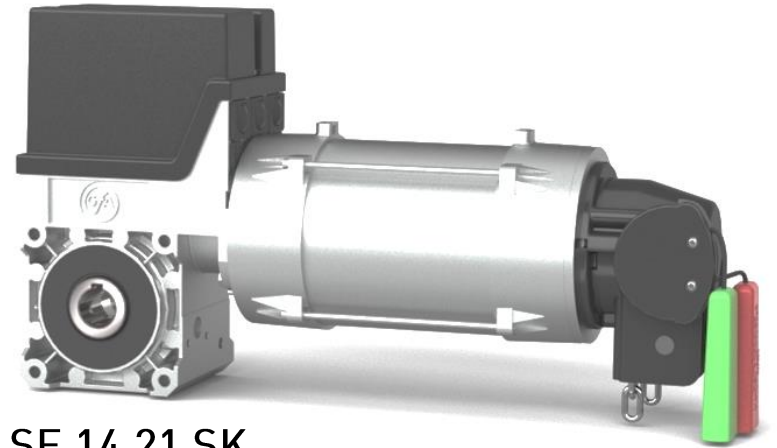


SE 9.24 ER



SE 9.24 SK



SE 14.21 SK



TS970



TS971

	SE90E-TS970	SE90-TS970	SE90E-TS971	SE90-TS971	SE140-TS971
Type	SE 9.24 ER DES IP65	SE 9.24 SK DES IP65	SE 9.24 ER DES IP65	SE 9.24 SK DES IP65	SE 14.21 SK DES IP65
Control	TS 970 CEE IP54	TS 970 CEE IP54	TS 971 CEE IP54	TS 971 CEE IP54	TS 971 CEE IP54
Torque (Nm)	90 Nm	90 Nm	90 Nm	90 Nm	140 Nm
Speed	24 rpm	24 rpm	24 rpm	24 rpm	21 rpm
Shaft diameter (mm)	25,4mm	25,4mm	25,4mm	25,4mm	31,75mm
Holding torque (Nm)	450 Nm	450 Nm	450 Nm	450 Nm	600 Nm
Max. door weight (kg)	400 Kg	400 Kg	400 Kg	400 Kg	600 kg
Power (kW)	0,37 kW	0,37 kW	0,37 kW	0,37 kW	0,45 kW
Voltage (Volt)	3x230/400V	3x230/400V	3x230/400V	3x230/400V	3x230/400V
Operating frequency (Hz)	50 Hz	50 Hz	50 Hz	50 Hz	50 Hz
Operating current (A)	2,1 / 1,2 A	2,1 / 1,2 A	2,1 / 1,2 A	2,1 / 1,2 A	4,5 / 2,6 A
Working temperature (°C)	-10 °C /+40 °C	-10 °C /+40 °C	-10 °C /+40 °C	-10 °C /+40 °C	-10 °C /+40 °C
Max. cycles per hour	20/uur	20/uur	20/uur	20/uur	16/uur
Declutch	Quick release	Chain hoist	Quick release	Chain hoist	Chain hoist
Limit switches	Digital	Digital	Digital	Digital	Digital
Cable length	7m	7m	7m	7m	7m