

M A N U A L

LOW POWER PHOTO CELLS

OSE-IR

INSTALLATION / MAINTENANCE

Added safety on industrial doors. Easy to install in the door frame or wall. Built in amplifier – all electronic inside the small Ø12 mm housing. Power supply 10-30 Vdc. Power consumption transmitter 25 mA @ 10 VDC/ 10 mA @ 30 VDC and receiver 6 mA @ 10 VDC/ 10 mA @ 30 VDC. Range up to 12 meter. PNP NC output on receiver. Test function. Optical angle +/- 10 degrees. IP 67 protection category. 15 meter cable (3x0,14 mm²).

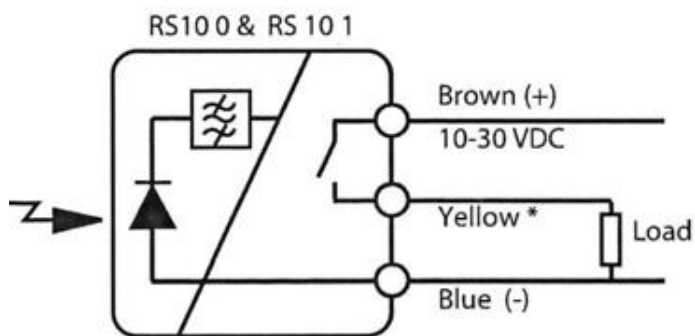


HOUSING

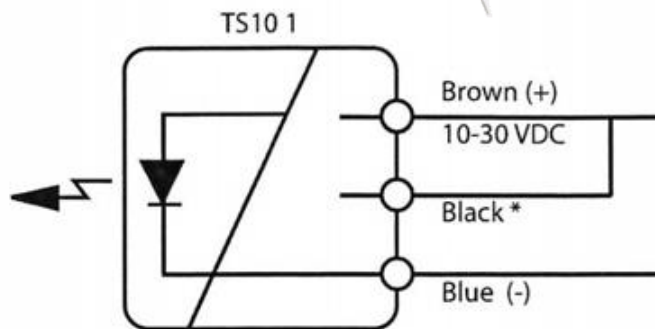


Ø 16 mm L 24 mm

Drill a hole 12,8 – 13 mm for mounting



* Max output load: 200 mA
 Max capacitive load: 1uF/0,5A
 RS 10 0 (PNP NC)
 RS 10 1 (PNP NO)



* Max range 12 m with no test input