

# FORCELC4

## INSTALLATION MANUAL

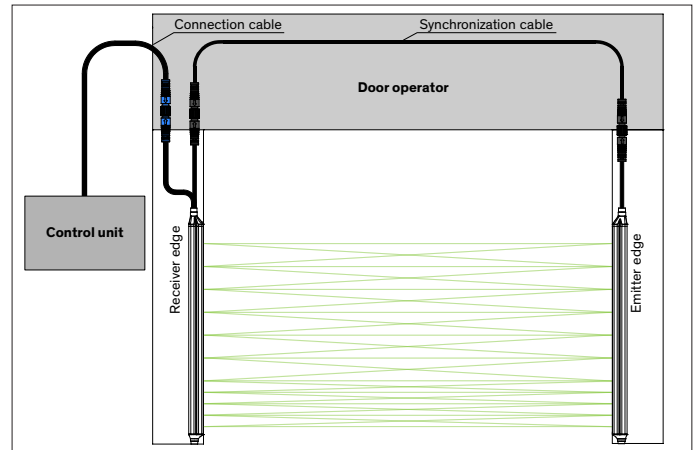
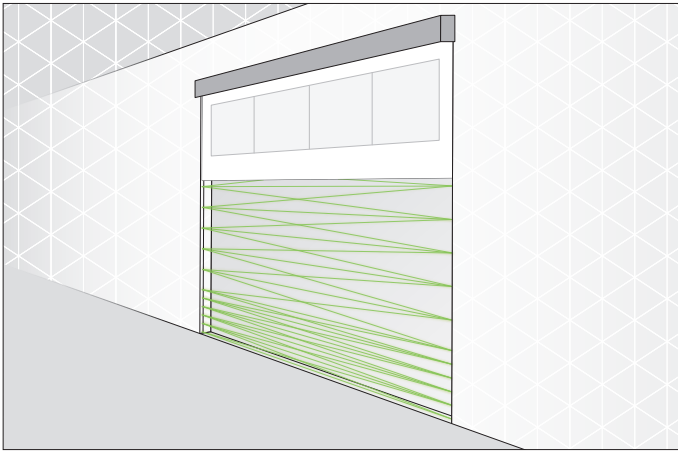
---

### Light curtain

Use directly on tracks of the door. When door closes, each of single light-beams are covered in sequence (the so called blanking). Unexpected obstacles will send a signal to door opener to stop



## Overview

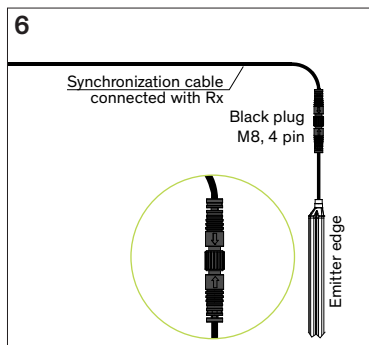
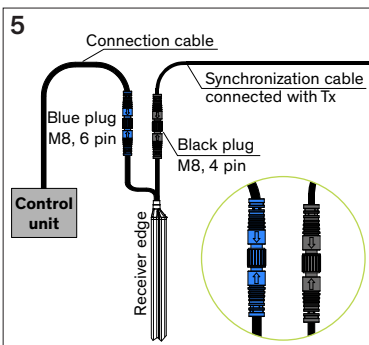
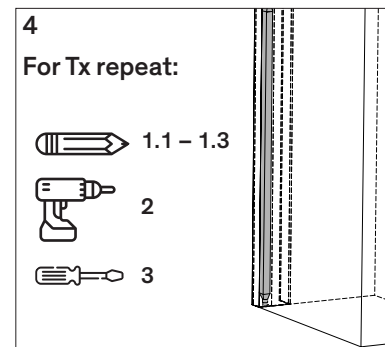
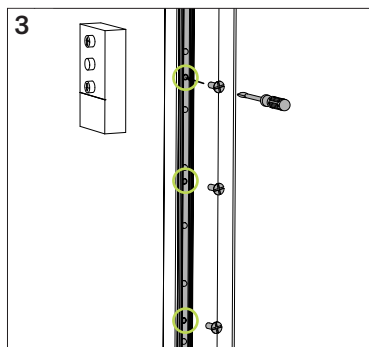
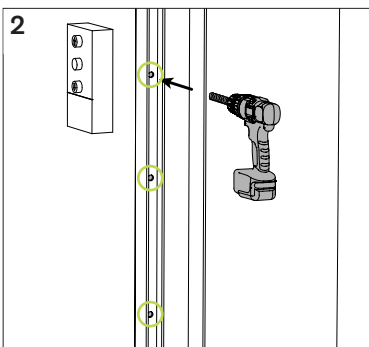
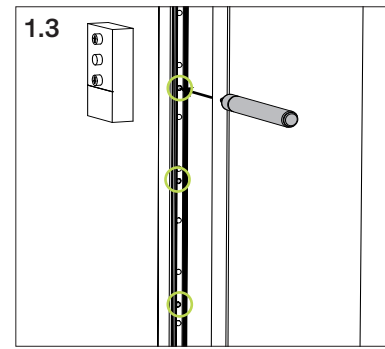
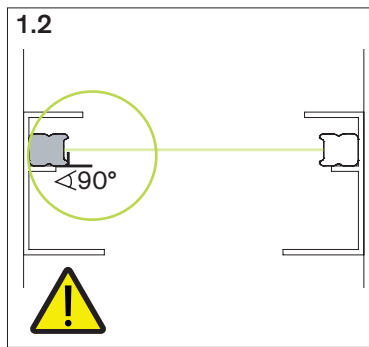
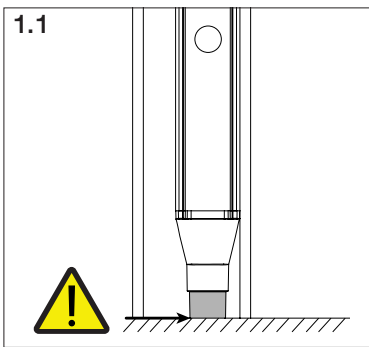


## Installation on door

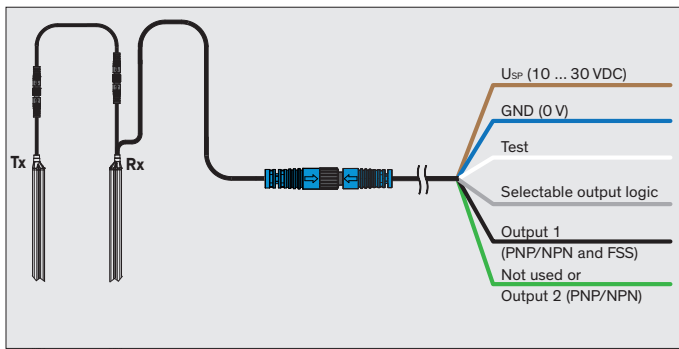


### Important:

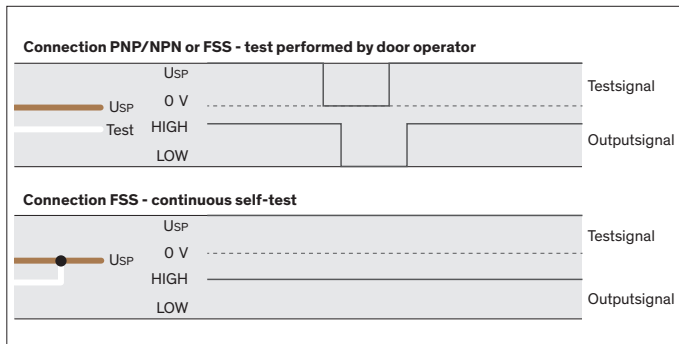
- ▶ Switch off main power and mark door „Out of service“.
- ▶ Mount the receiver edge into the guiding rail next to the door control unit.



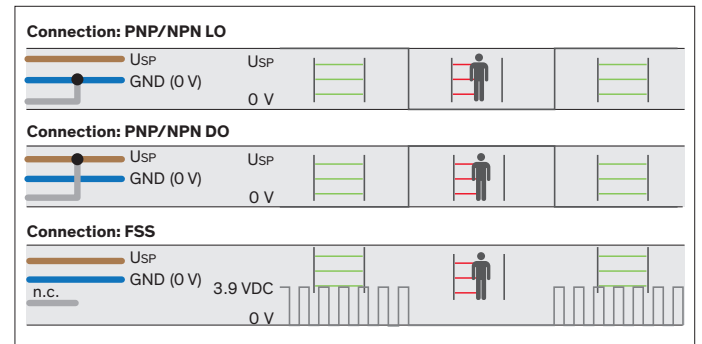
## Electrical connection



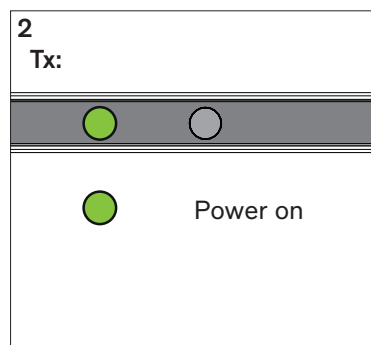
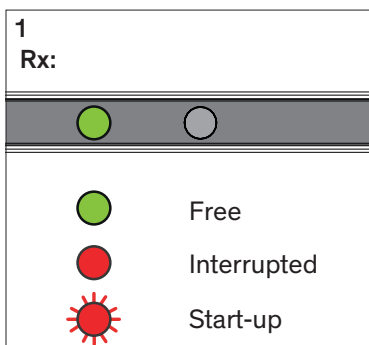
## Test connection



## Output selector - Output 1



## LED description



## Testing

